

RJ45 Connector

SRJ110010THD005M

Description

The SRJ110010THD005M is a RJ45 connector with 1000 Base-T and integrated magnetics.

The connector is designed to support application such as SOHO (ADSL modems), LAN-on-Motherboards(LOM), Hub and Switches.



Typical applications

- Ethernet
- Network Switch
- Network Hub
- Modems



Features

Mechanical Properties

Description

Speed	1000 Base-T
Number of ports	Single
Latch	Down
Pin type	THT
Application-Lan	Ethernet (NoN PoE)
Led	Include, 2 pcs
Color	Green/Yellow, Green/Yellow
Housing	Thermoplastic UL94V-0
Contact/Shield	Copper Alloy
Shield Plating	Nickel
Contact Plating	Gold 6 Micro-Inches Min.
Operating Temperature	-40°C~+85°C
Wave Peak Soldering	+265°C Max. 5 sec Max.
Dimensions	21.3 x 15.9 x 13.4 mm ± 0.1

RJ45 Connector

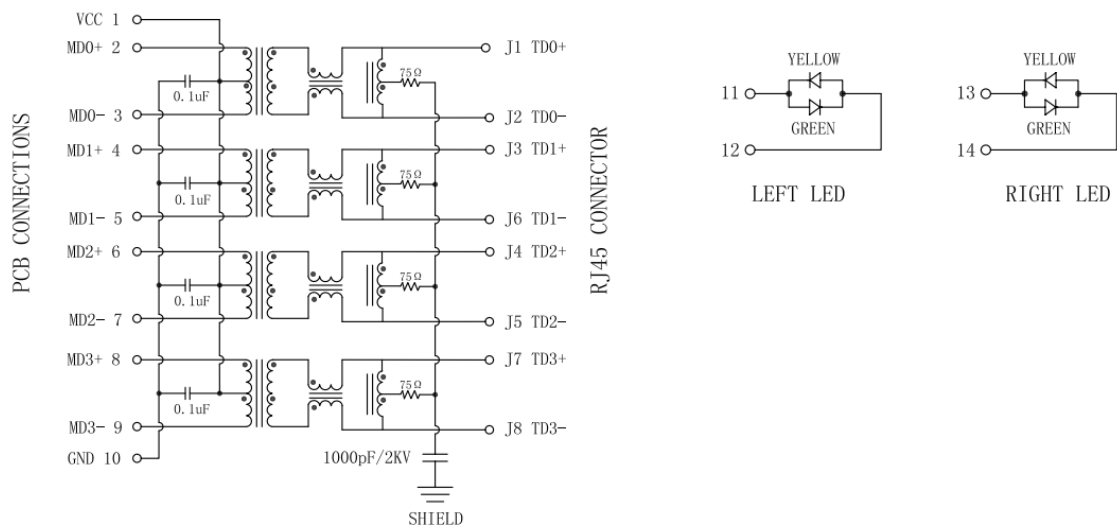
SRJ110010THD005M

Electrical Properties

Description

Turn Ratio ($\pm 3\%$)	1CT : 1CT
Inductance OCL	350uH Min. @100KHz , 0.1V 8mA DC Bias
Insertion Loss	-1.0dB Max. @1-100MHz
Return Loss	-18dB Min. @1-10MHz -16dB Min. @10-30MHz -12dB Min. @30-60MHz -10dB Min. @60-100MHz
Cross Talk	-35dB Min. @1-30MHz -32dB Min. @30-60MHz -30dB Min. @60-100MHz
Common Mode Rejection	-30dB Min. @1-100MHz
Hipot Test	1500Vrms

Electrical

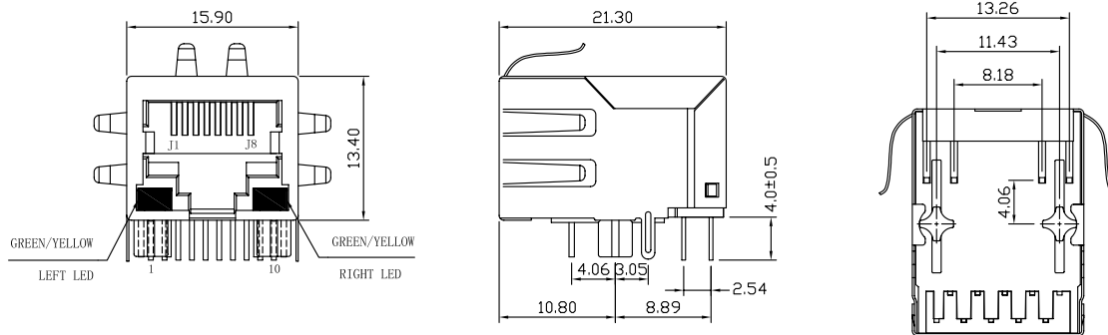


RJ45 Connector

SRJ110010THD005M

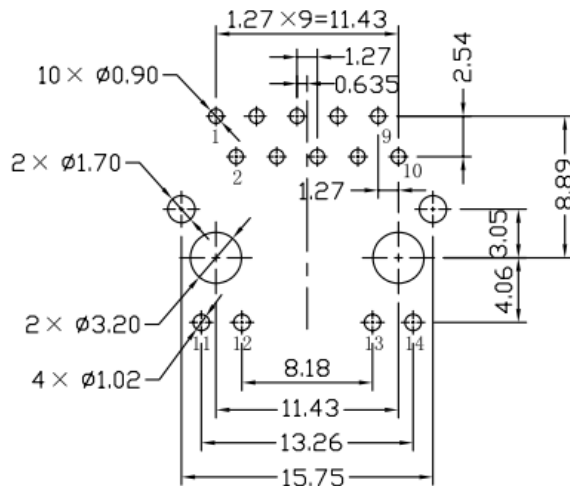
Dimensions

*unit: mm



PCB Footprint

*unit: mm



SUGGESTED PCB LAYOUT (TOP VIEW)

Ordering information

Ordering can be done via www.summit-electronics.com or via info@summit-electronics.com. Please contact us for more information. Customisation of the product is available on request.

Technical support

For all product questions please contact us via info@summit-electronics.com

Document revision

Rev	Date	changes
V01.00	27-06-2023	First issue of document, EK